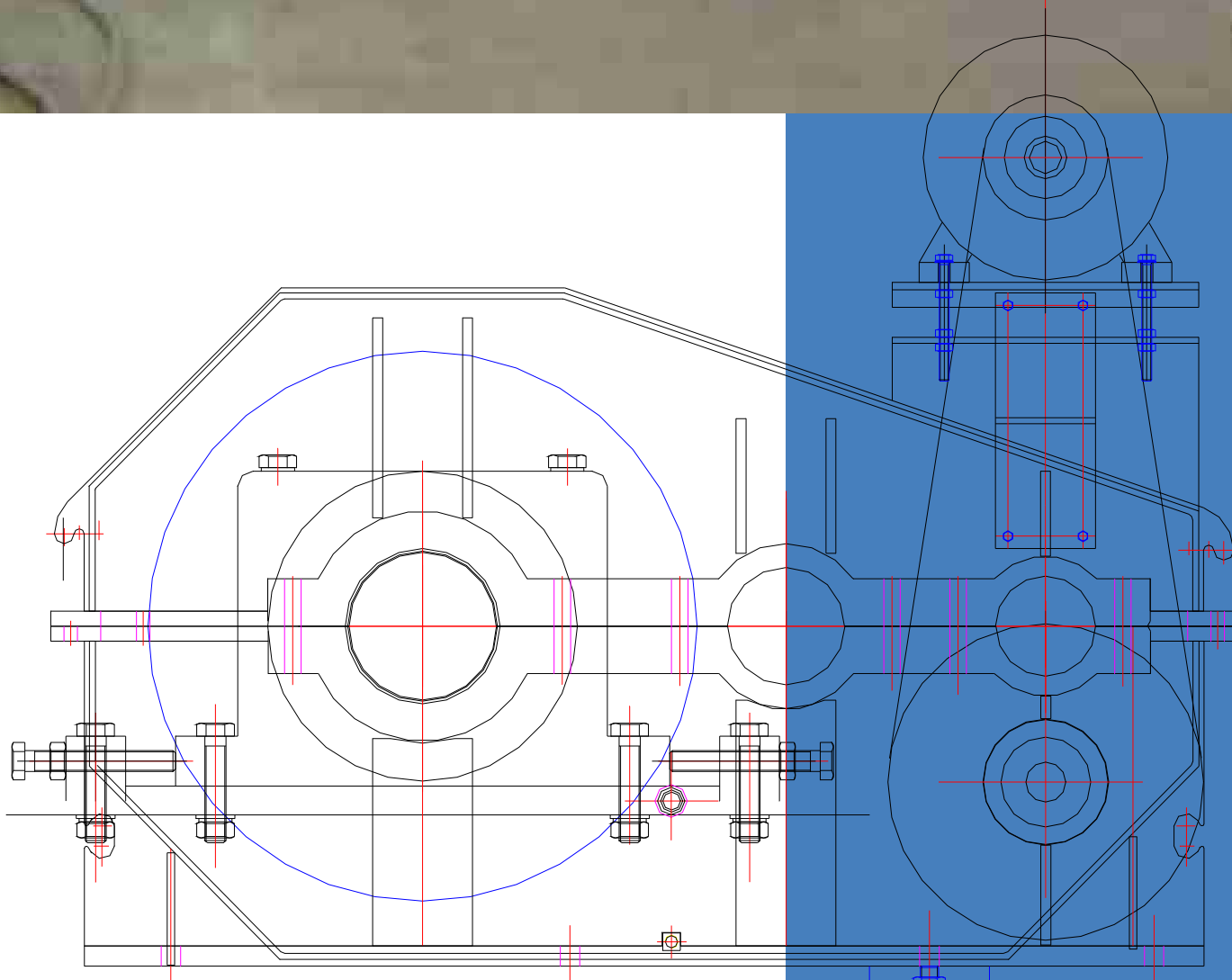


DEVELOPMENT OF REACTOR FOR MUNICIPAL SOLID WASTE COMPOSTING

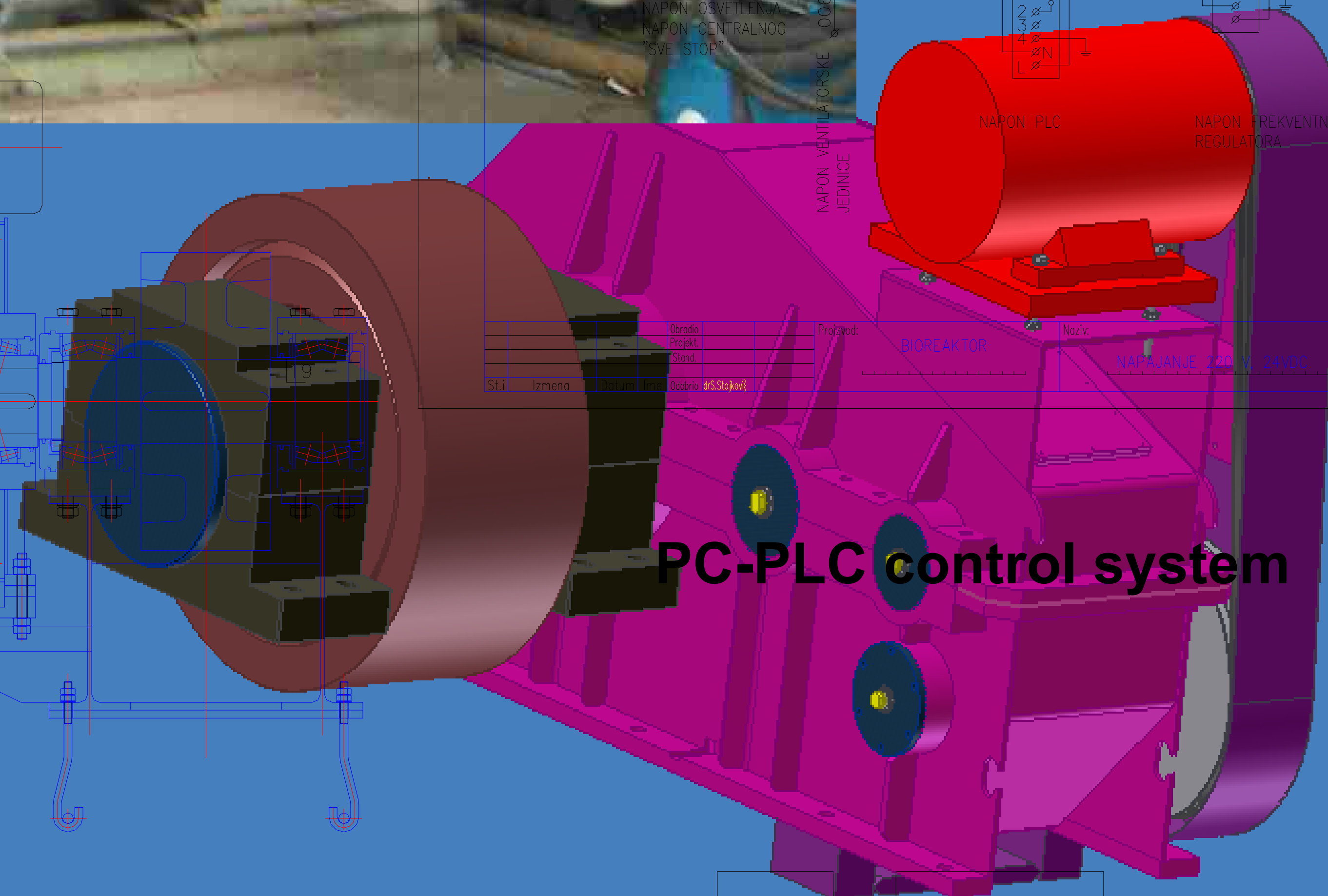


Reactor during production

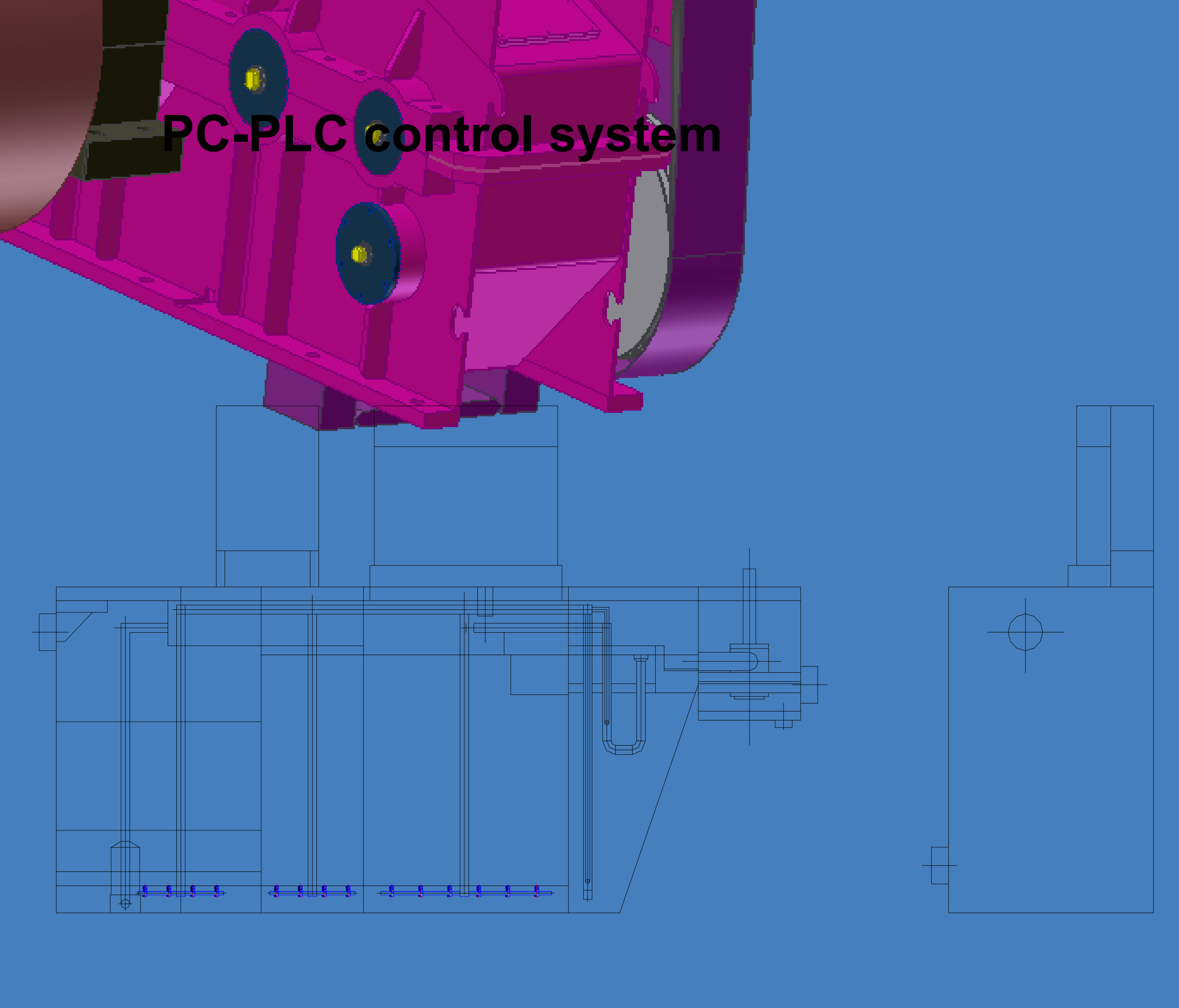
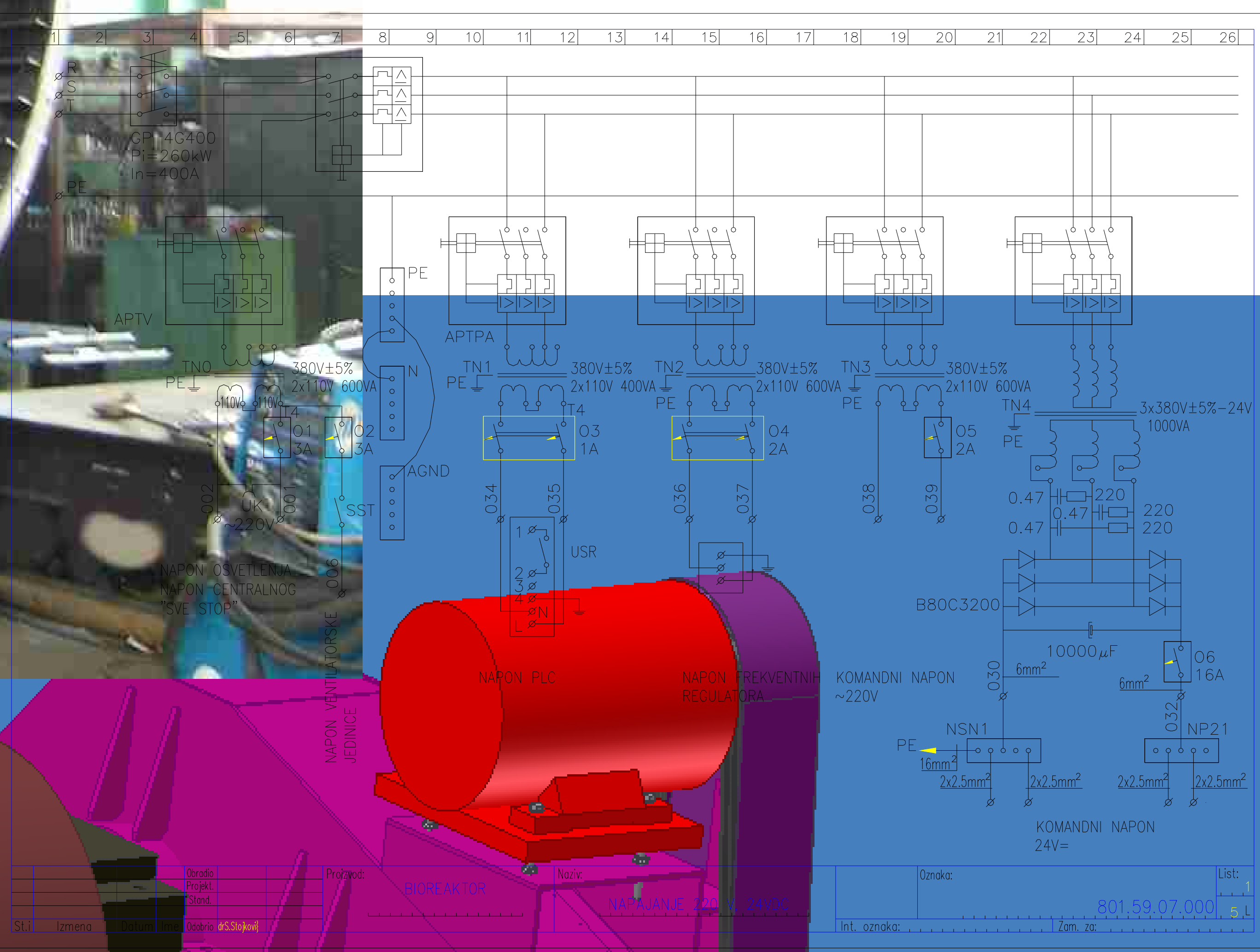
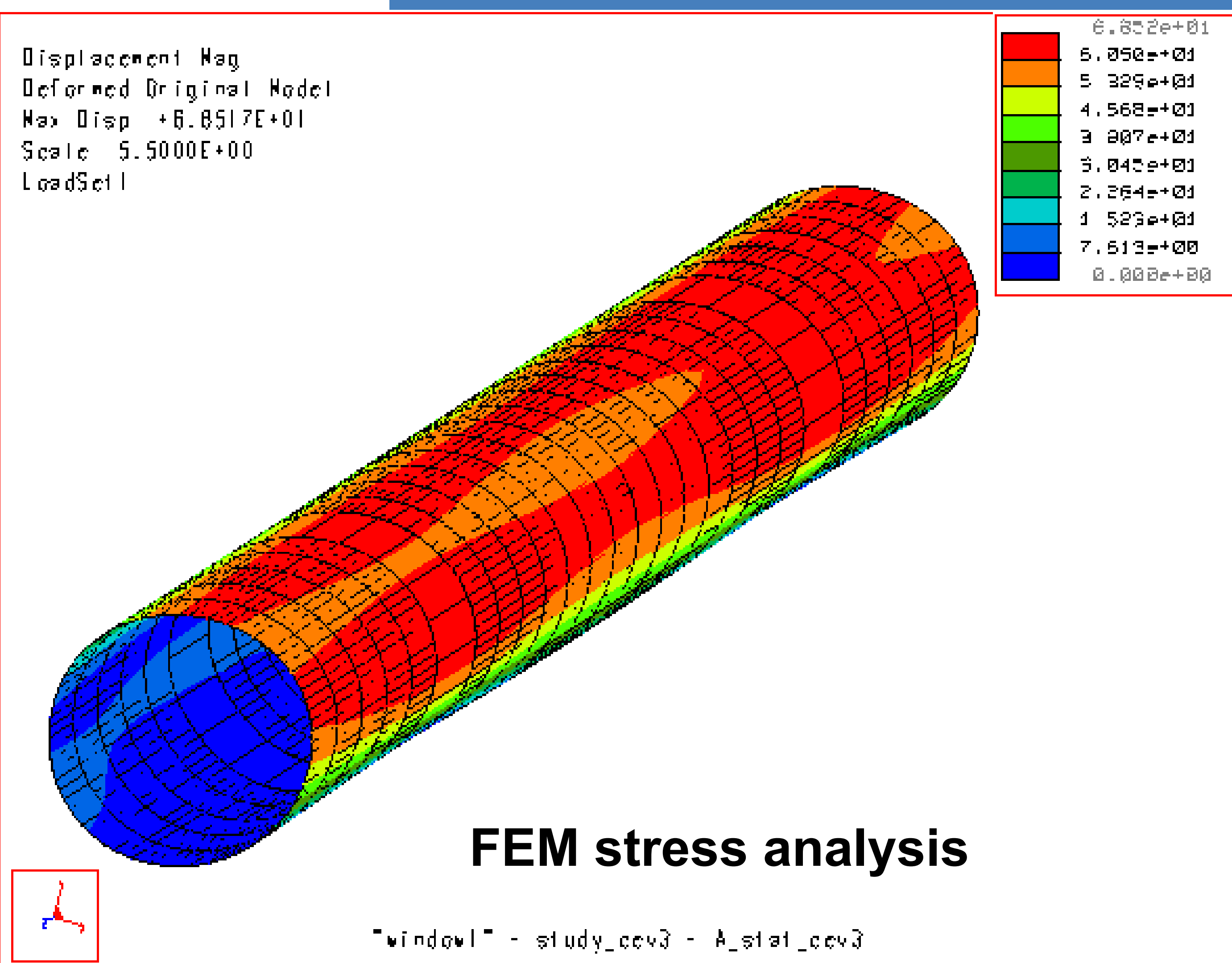
Length	42 m
Diameter	4.2 m
Wall thickness	16 mm
Bioreactor mass	222000 kg
Number of rotations	1 min ⁻¹
Plant power	4x55 kW



AC GEARMOTOR



PC-PLC control system



WASTEWATER TREATMENT PLANT